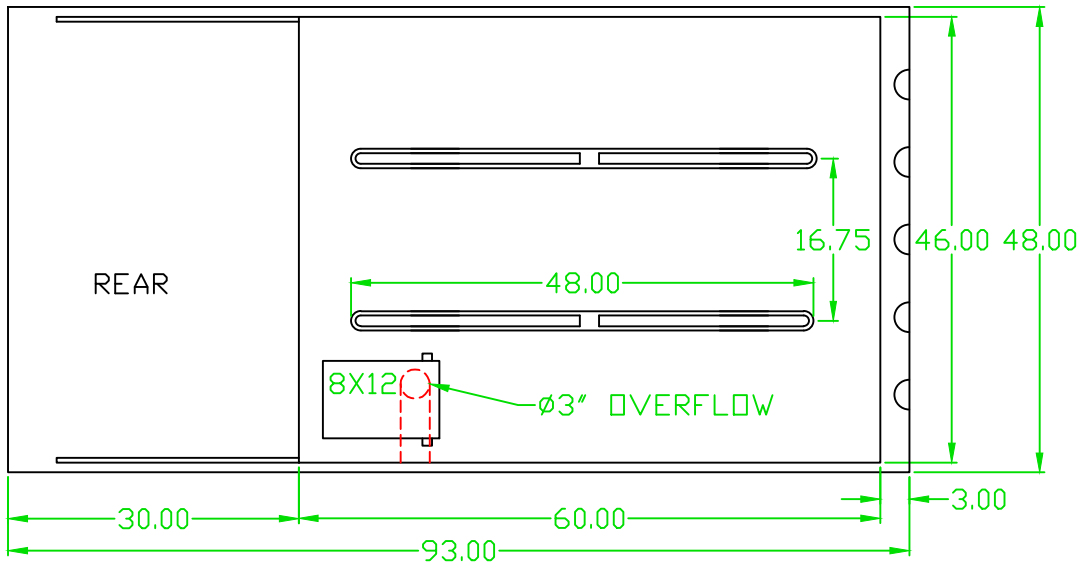


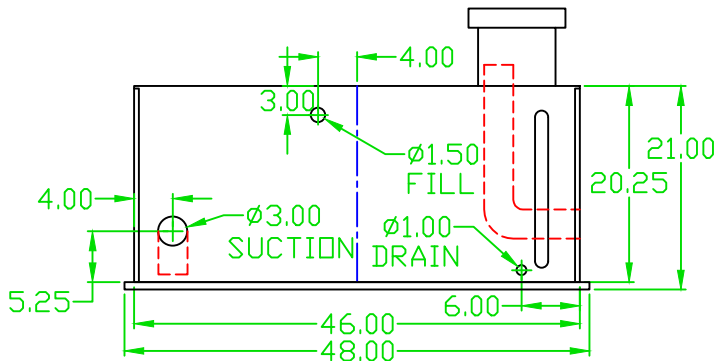
TOP VIEW



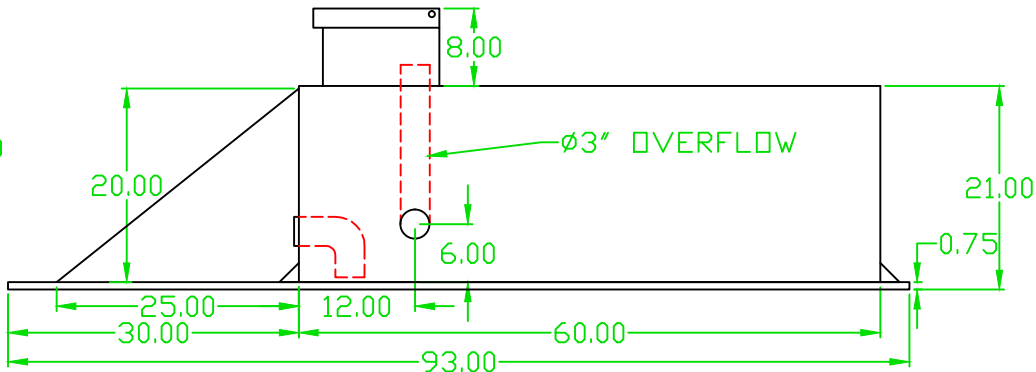
NOTES:

OVERFLOW EXISTS OUT PASSENGER SIDE OF TANK AND IS FLUSH WITH OUTSIDE OF TANK

REAR VIEW



SIDE VIEW



CUSTOM COMPOSITES
 1018 E. Madison Street
 Oklahoma City, OK 73111
 1-877-912-6297
 Phone: 405-424-2550
 Fax: 405-424-2556
 www.CustomCompositesOK.com

Customer's Signature and Date

Title

200 GALLON POLYPROPYLENE TANK (ECONOMY)

Customer

Foam Capacity

0 GALLONS

Material

POLYPROPYLENE

Water Capacity

200 GALLONS

TYPE:

ECONOMY TANK