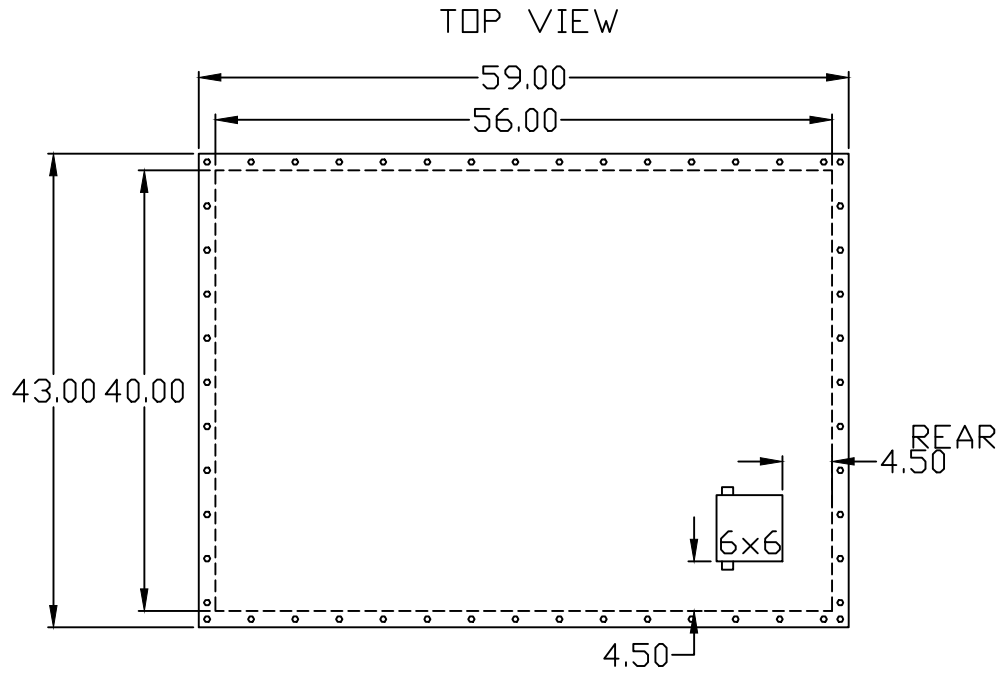
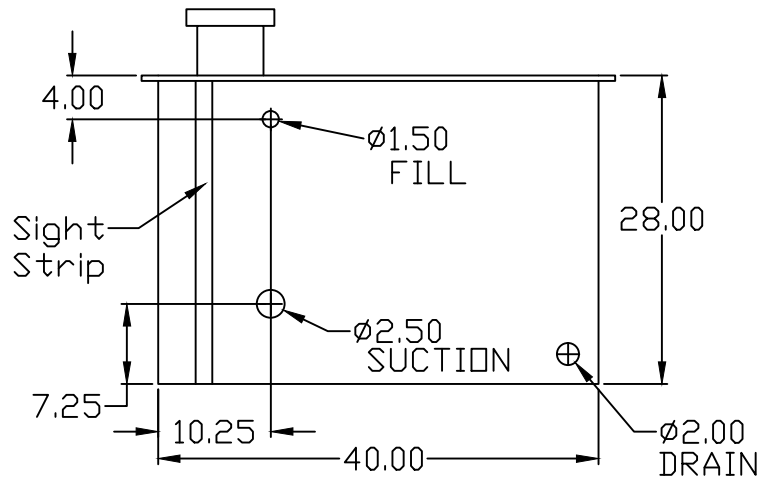


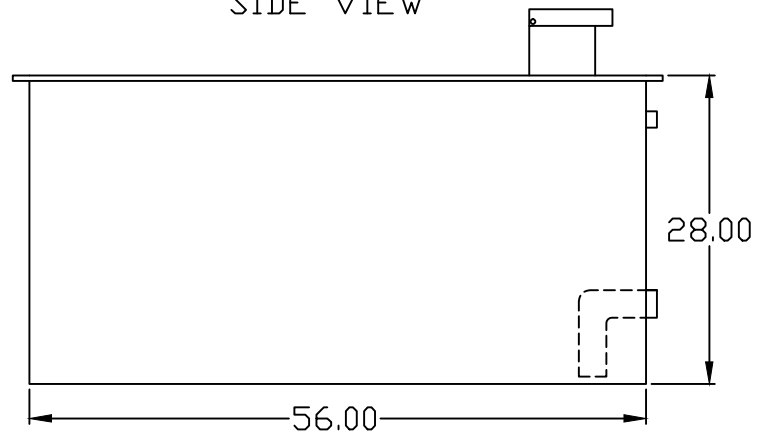
COLOR: WHITE



REAR VIEW



SIDE VIEW



CUSTOM COMPOSITES
 1018 E. Madison Street
 Oklahoma City, OK 73111
 1-877-912-6297
 Phone: 405-424-2550
 Fax: 405-424-2556
 www.CustomCompositesOK.com

Customer's Signature and Date

Title

250 GALLON FIBERGLASS TANK (ECONOMY)

Customer

Foam Capacity
 0 GALLONS

Material
 FIBERGLASS

Water Capacity
 250 GALLONS

TYPE
 ECONOMY TANK