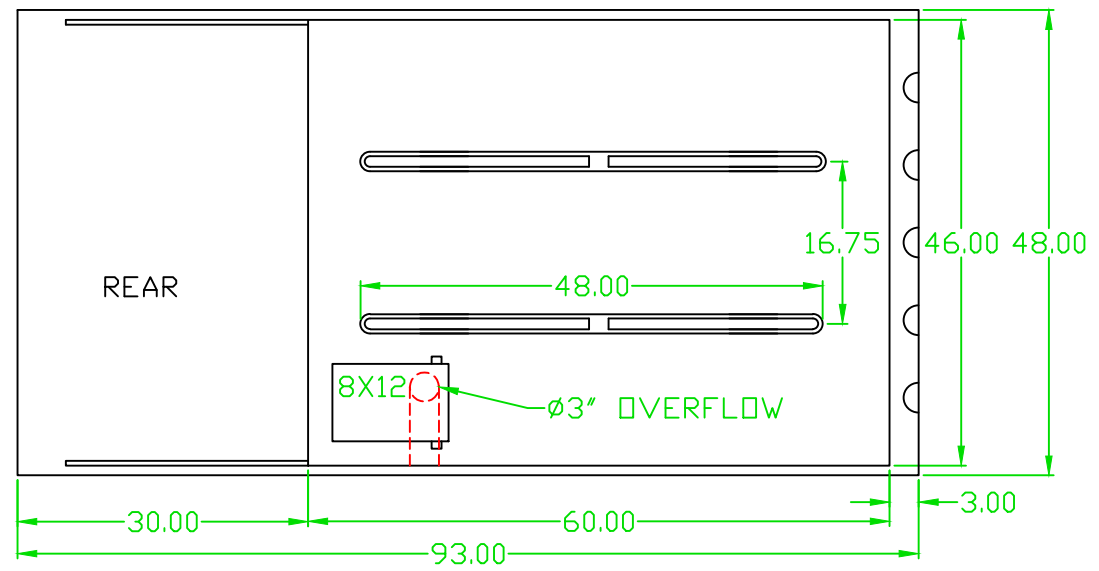


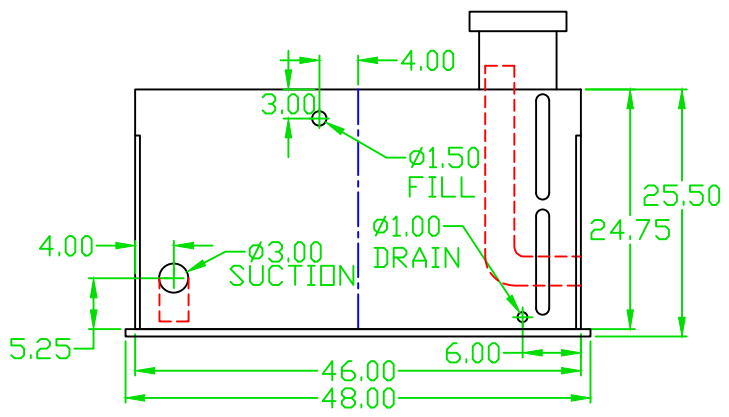
NOTES:
 FOAM CELL TO INCLUDE VENT &
 LATCH

OVERFLOW EXITS OUT PASSENGER
 SIDE OF TANK AND IS FLUSH
 WITH OUTSIDE OF TANK

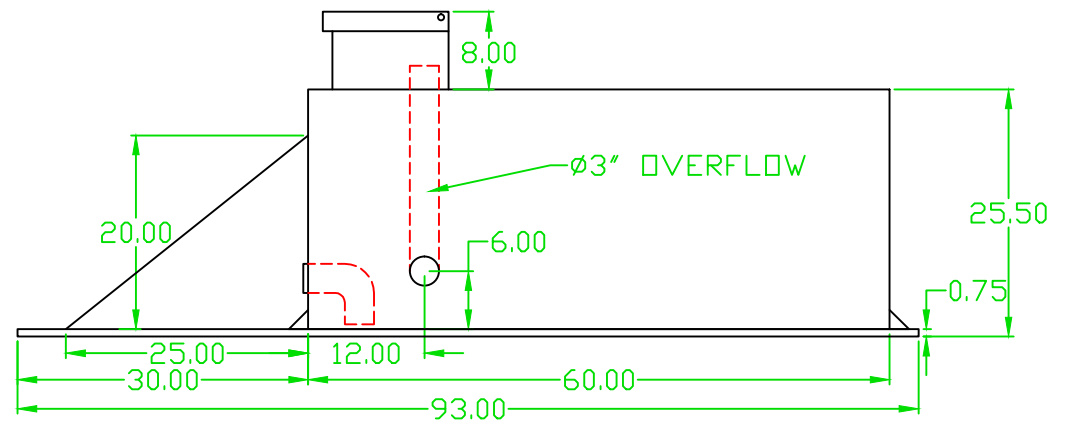
TOP VIEW



REAR VIEW



SIDE VIEW



CUSTOM COMPOSITES
 1018 E. Madison Street
 Oklahoma City, OK 73111
 1-877-912-6297
 Phone: 405-424-2550
 Fax: 405-424-2556
 www.CustomCompositesOK.com

Customer's Signature and Date

| | | |
|--|-------------------------------|---------------------------|
| Title 250 GALLON POLYPROPYLENE TANK (ECONOMY) | | |
| Customer | Foam Capacity 0 GALLONS | Material POLYPROPYLENE |
| | Water Capacity 250 GALLONS | TYPE: ECONOMY TANK |