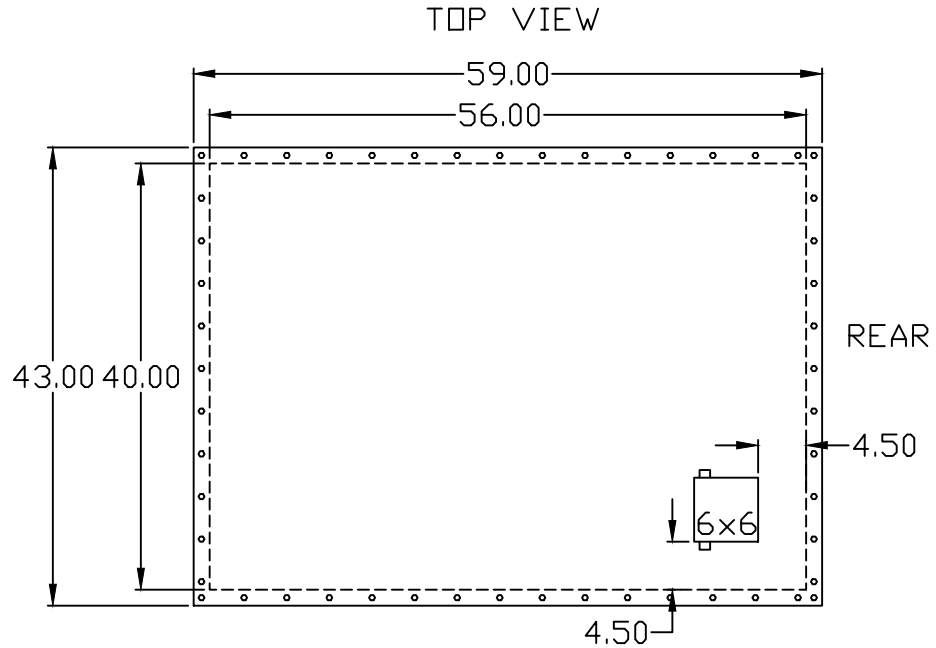
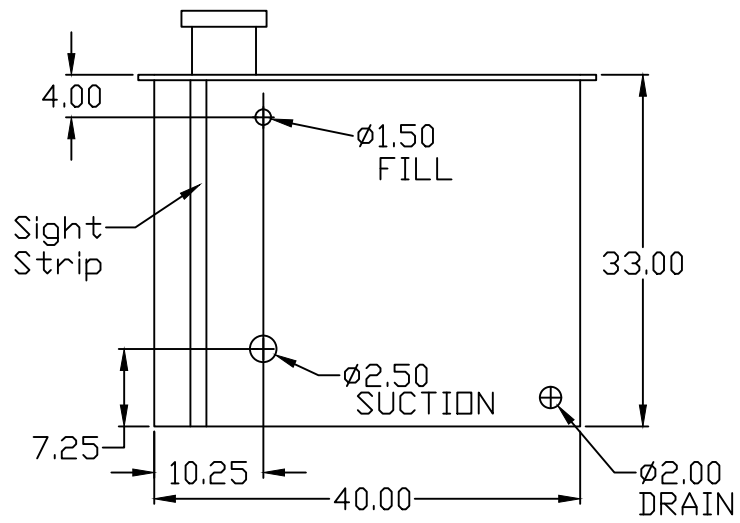


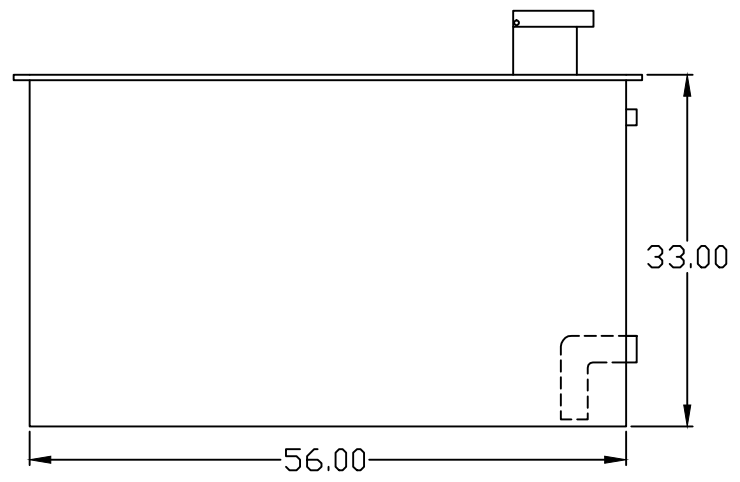
COLOR: WHITE



REAR VIEW



SIDE VIEW



CUSTOM COMPOSITES  
 1018 E. Madison Street  
 Oklahoma City, OK 73111  
 1-877-912-6297  
 Phone: 405-424-2550  
 Fax: 405-424-2556  
 www.CustomCompositesOK.com

Customer's Signature and Date

Title  
 300 GALLON FIBERGLASS TANK (ECONOMY)

Customer

Foam Capacity  
 0 GALLONS  
 Water Capacity  
 300 GALLONS

Material  
 FIBERGLASS  
 TYPE  
 ECONOMY TANK