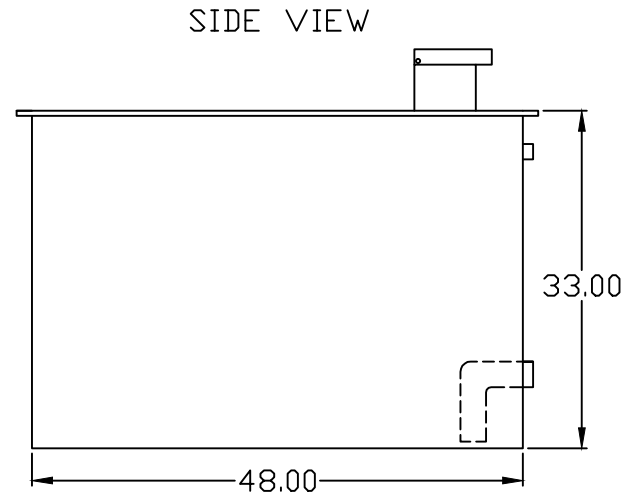
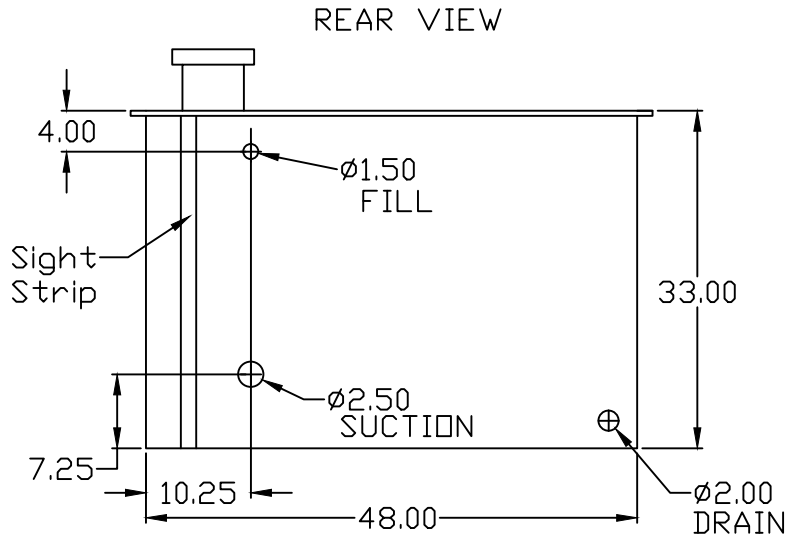
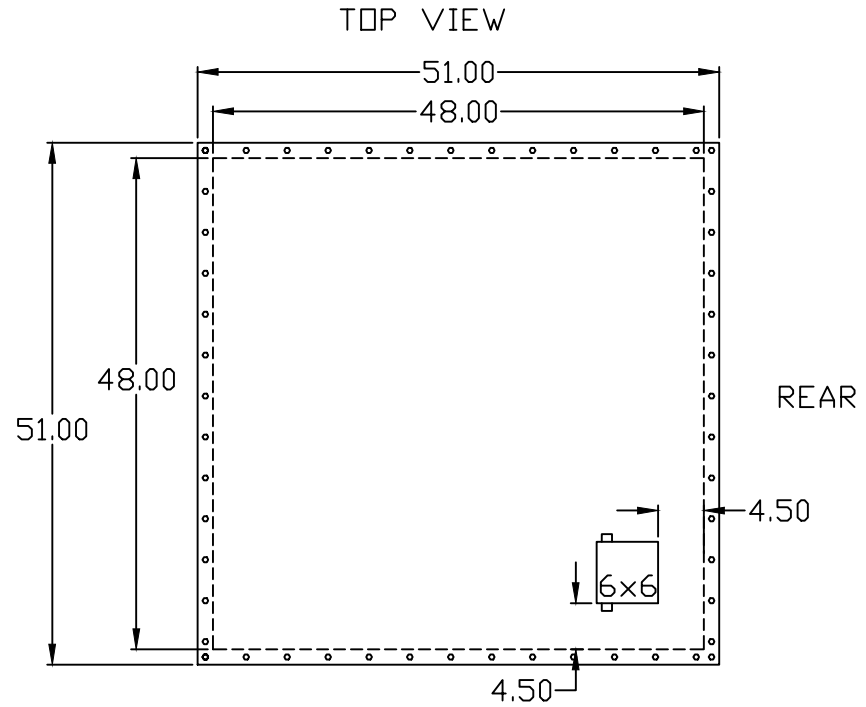


COLOR: WHITE



CUSTOM COMPOSITES
 1018 E. Madison Street
 Oklahoma City, OK 73111
 1-877-912-6297
 Phone: 405-424-2550
 Fax: 405-424-2556
 www.CustomCompositesOK.com

Customer's Signature and Date

Title

300 GALLON FIBERGLASS TANK (ECONOMY)

Customer

Foam Capacity
0 GALLONS

Material
FIBERGLASS

Water Capacity
300 GALLONS

TYPE:
ECONOMY TANK