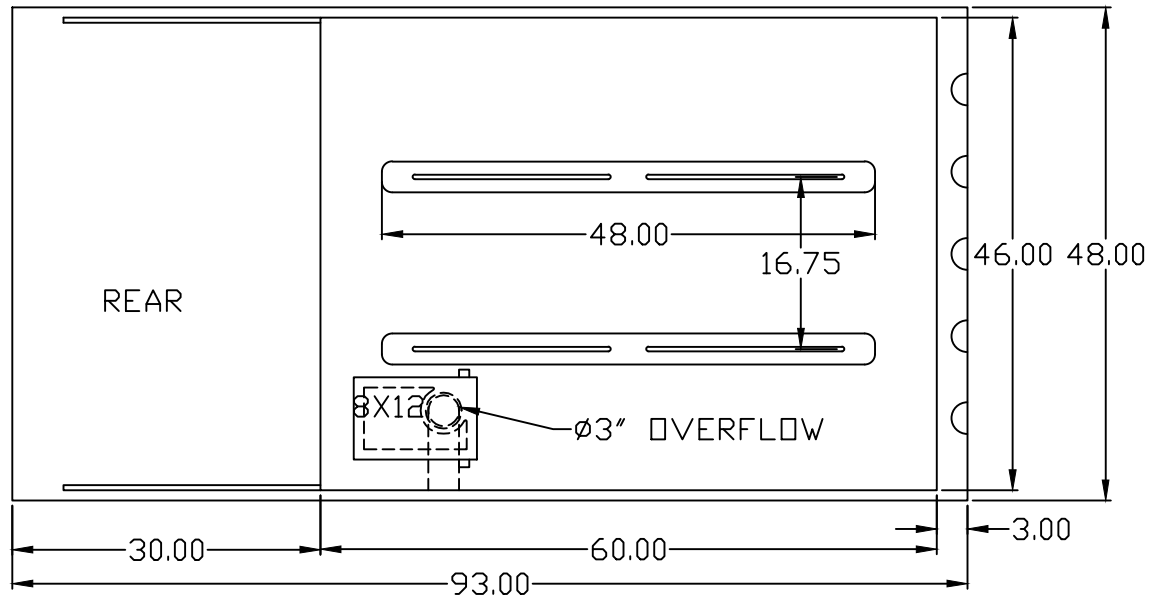


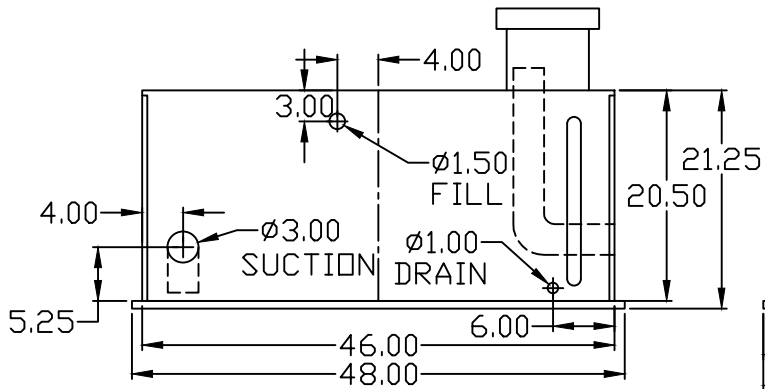
NOTES:

OVERFLOW EXITS OUT PASSENGER SIDE OF TANK AND IS FLUSH WITH OUTSIDE OF TANK

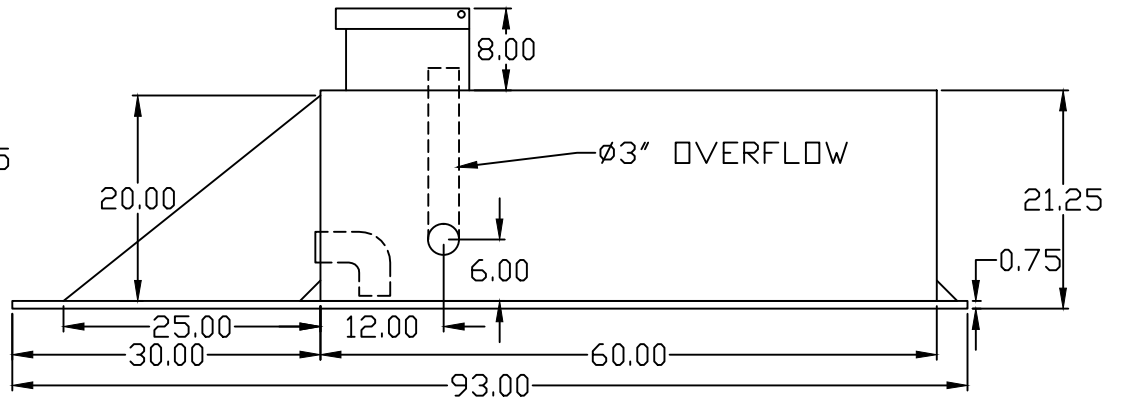
TOP VIEW



REAR VIEW



SIDE VIEW



CUSTOM COMPOSITES  
 1018 E. Madison Street  
 Oklahoma City, OK 73111  
 1-877-912-6297  
 Phone: 405-424-2550  
 Fax: 405-424-2556  
 www.CustomCompositesOK.com

Customer's Signature and Date

Title  
 200 GALLON POLYPROPYLENE TANK (ECONOMY)

Customer	Foam Capacity 0 GALLONS	Material POLYPROPYLENE
	Water Capacity 200 GALLONS	TYPE: ECONOMY TANK