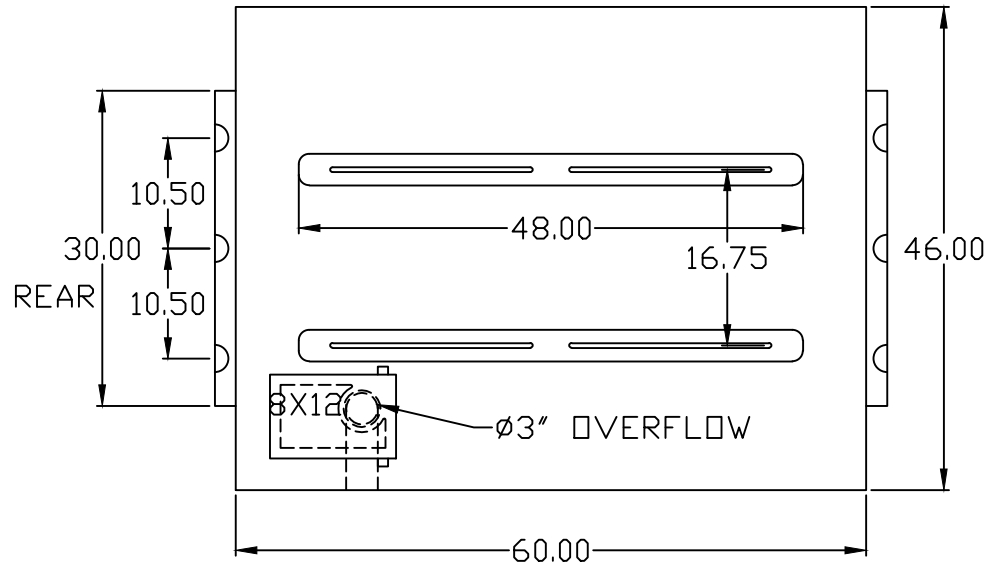
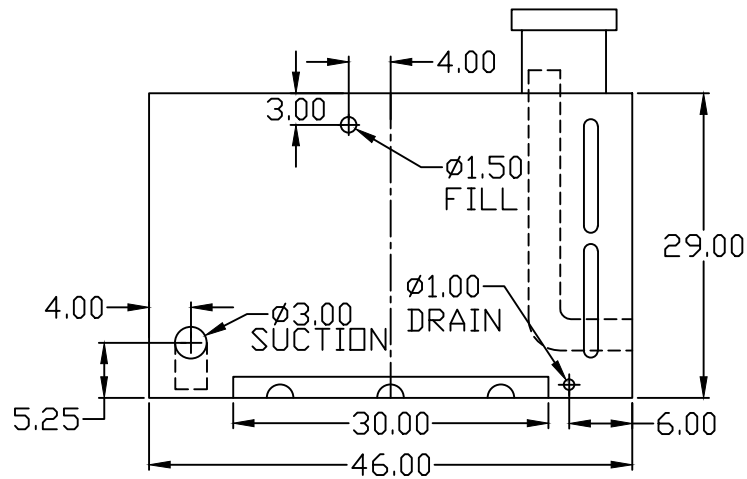


TOP VIEW

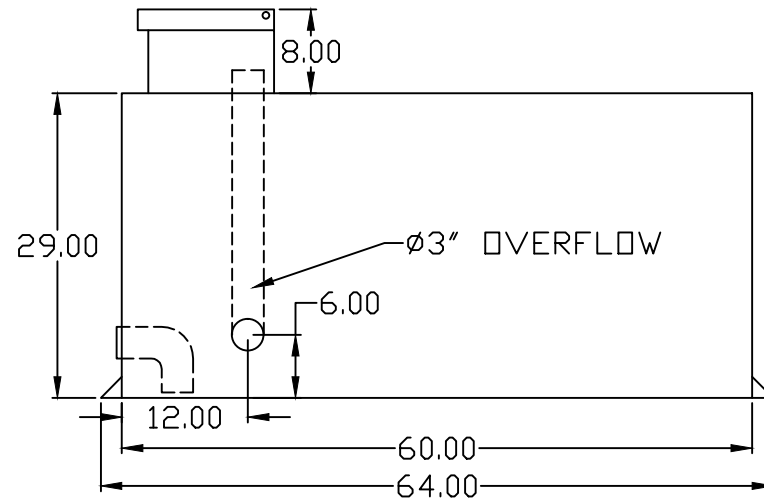


NOTES:  
OVERFLOW EXITS OUT PASSENGER  
SIDE OF TANK AND IS FLUSH  
WITH OUTSIDE OF TANK

REAR VIEW



SIDE VIEW



CUSTOM COMPOSITES  
1018 E. Madison Street  
Oklahoma City, OK 73111  
1-877-912-6297  
Phone: 405-424-2550  
Fax: 405-424-2556  
www.CustomCompositesOK.com

Customer's Signature and Date

Title

300 GALLON POLYPROPYLENE TANK (ECONOMY)

Customer

Foam Capacity  
0 GALLONS

Material  
POLYPROPYLENE

Water Capacity  
300 GALLONS

TYPE:  
ECONOMY TANK